

# NEOLAM

1100E 1650E



## The **NEOLAM / E** series offers the following features:

### Easy of use:

- Regulation and led visualisation of the laminating speed via key pad.
- Regulation with manual handwheel for the media thickness and pressure.
- Easy loading and positioning of the material.
- Motor-driven winding of the material protecting the upper roller.
- Removable feeding table to make material loading operations easier.
- Clutch regulation of the laminating material tensioning.
- Heated upper roller 50°C (122°F) for cold lamination.

### Optimum performance:

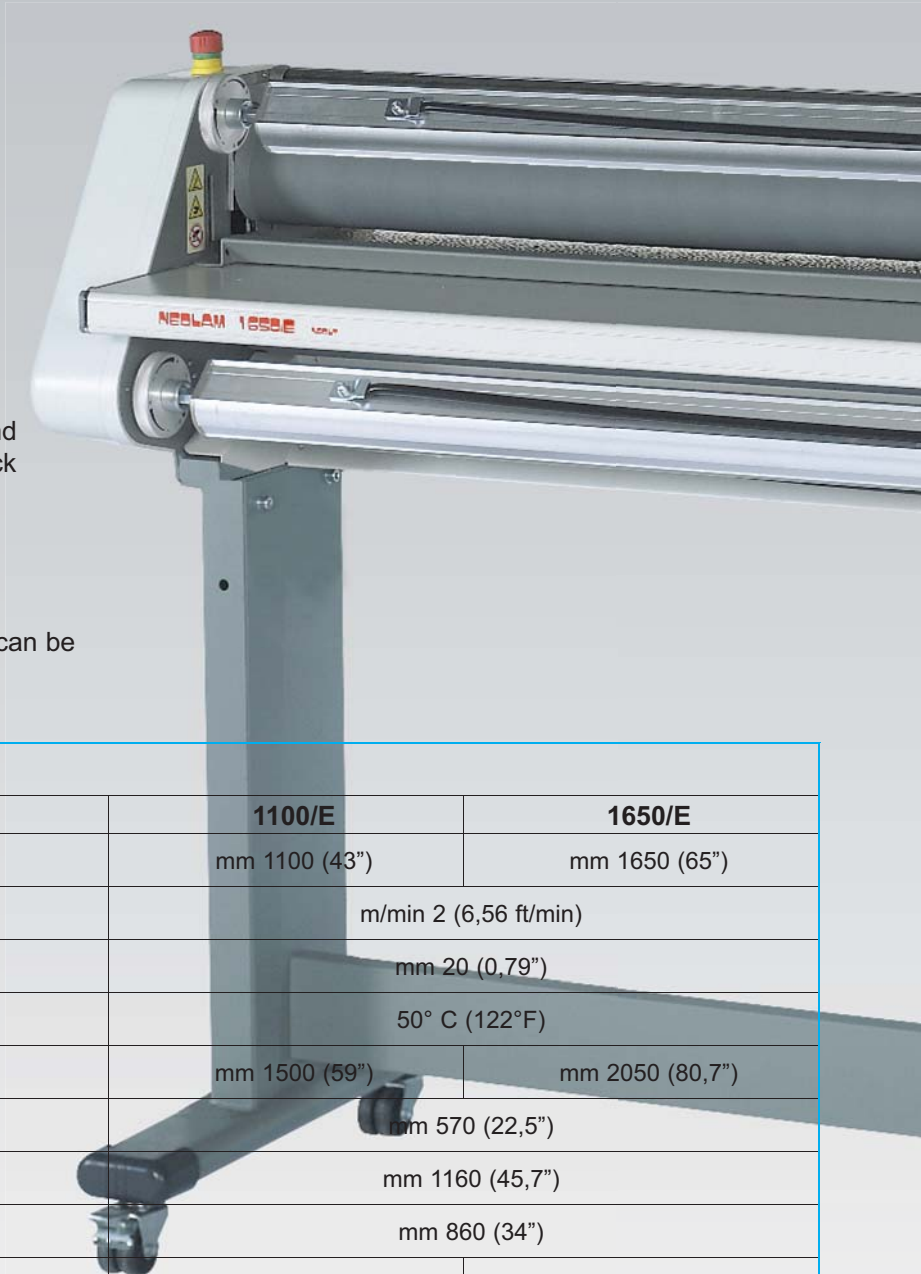
- Led display of the upper roller heating.
- Led signalling.
- Silicone rolls ø 90mm.
- Speed rollers settable with the keyboard and relevant led visualization.

### Safety:

- Foot pedal control for free hands operation.
- Global safety system with emergency stop and optical safety protection, featuring a self-check system.
- Display and signalling of any irregularities.
- CE certificate.

### Other characteristics:

- Small size, stand with swivelling wheels that can be locked into position.



General Characteristics		
model	1100/E	1650/E
max. working width	mm 1100 (43")	mm 1650 (65")
max. speed	m/min 2 (6,56 ft/min)	
max. laminating thickness	mm 20 (0,79")	
max. cylinder temperature	50° C (122°F)	
width	mm 1500 (59")	mm 2050 (80,7")
depth including table	mm 570 (22,5")	
height with stand	mm 1160 (45,7")	
operating table height	mm 860 (34")	
net weight	Kg 105 (231,5 lbs)	Kg 135 (297,6 lbs)
voltage	230 V - 50 Hz (110 V - 60 Hz)	
max. electric consumption	1400 W	1500 W

The manufacturer reserves the right to change technical and aesthetical specifications without notice.

# NEOLT

Via G. Galilei, 8  
24036 Ponte San Pietro (BG) - ITALY  
Tel. +39 035 468 811 - Fax +39 035 468 886  
<http://www.neolt.it> E-mail: [mkt@neolt.it](mailto:mkt@neolt.it)

